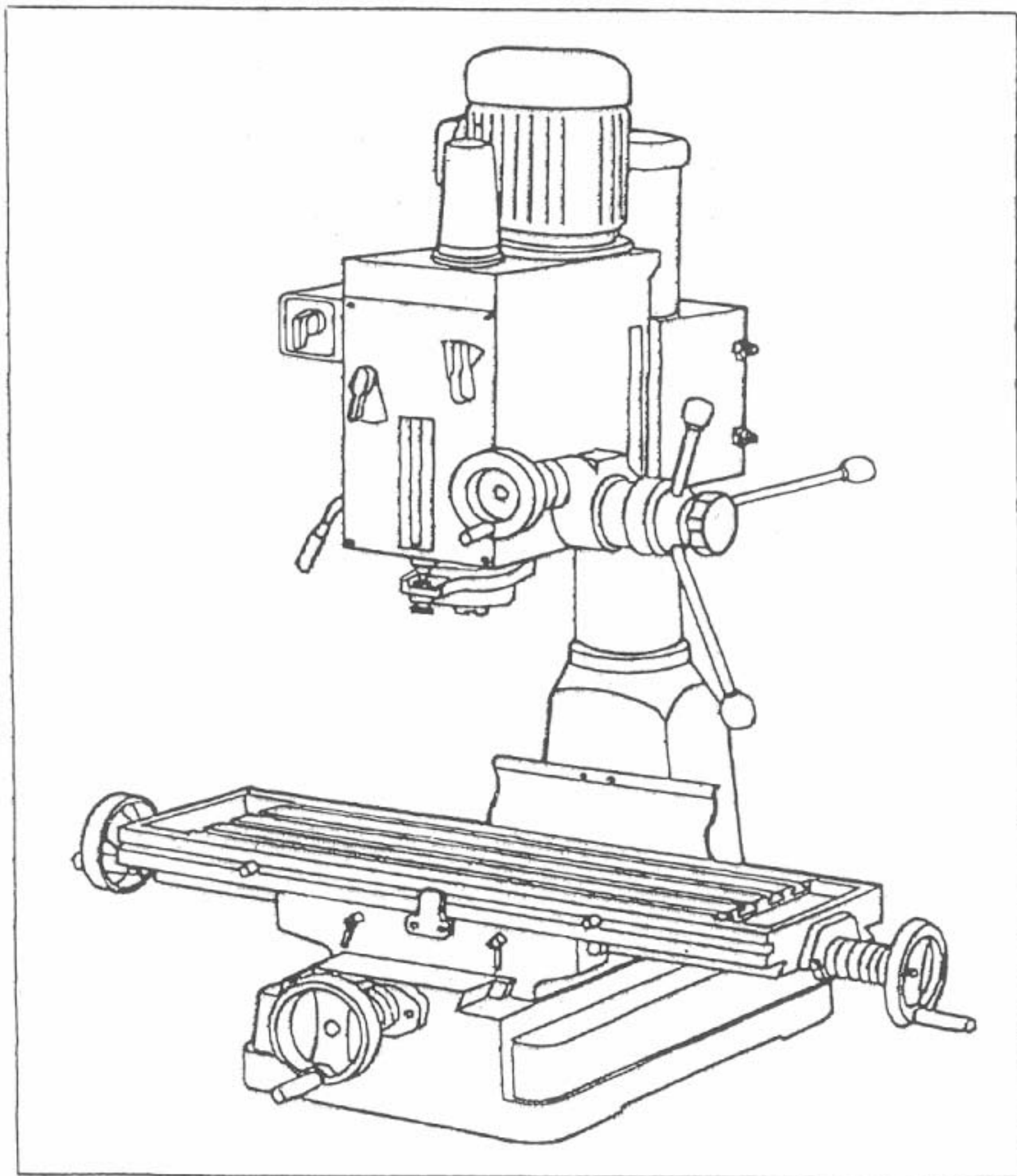
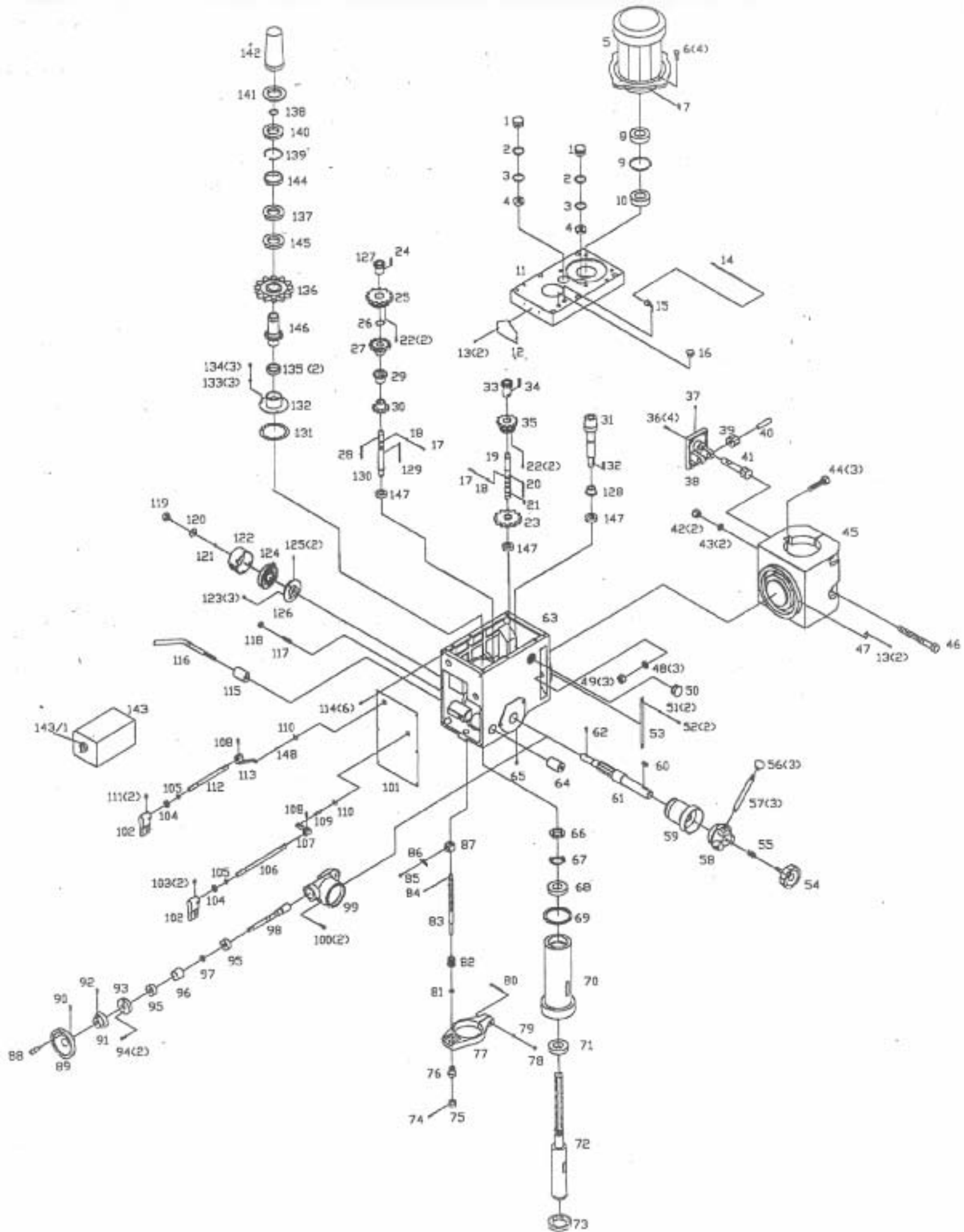
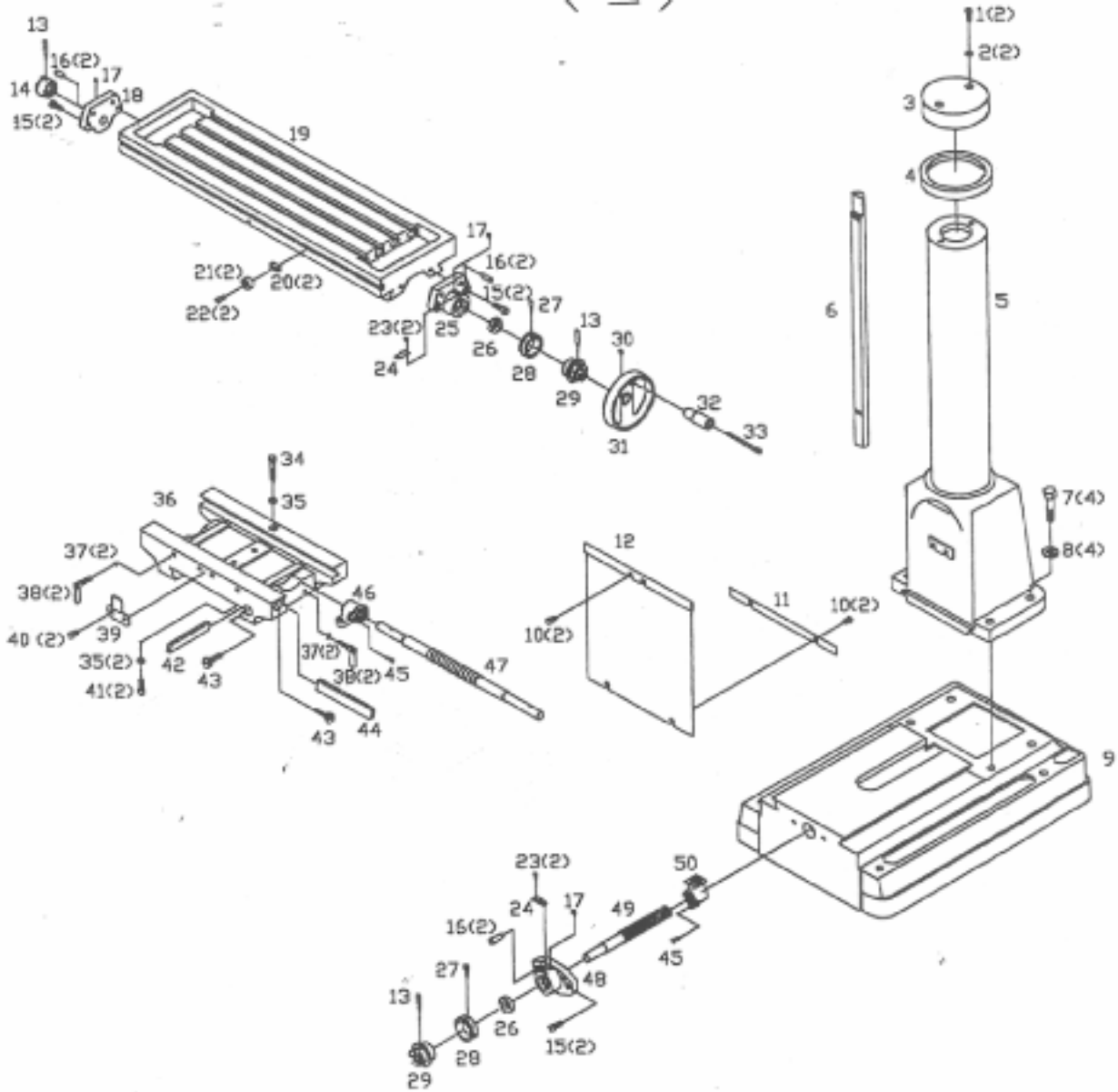


# *GEARED HEAD DRILLING AND MILLING MACHINE*



MODEL 105-1145  
INSTRUCTION MANUAL





## Spindle Head Parts:

1.	Cap	33.	Gear
2.	Airtight Ring	34.	Key
3.	Retaining Ring	35.	Gear
4.	Ball Bearing	36.	Screw
5.	Motor	37.	Oil Cup
6.	Screw	38.	Bracket
7.	Key	39.	Gear
8.	Oil Seal	40.	Shaft
9.	Retaining Ring	41.	Worm Shaft
10.	Ball Bearing	42.	Nut
11.	Head Body Cover	43.	Washer
12.	Trademark	44.	Bolt
13.	Revit	45.	Toraise And Lower Body
14.	Soft Pipe	46.	Bolt
15.	Radiator	47.	Zero Site Board
16.	Oil Filler Plug	48.	Washer
17.	Spring	49.	Nut
18.	Steel Ball	50.	Oil Pointer
19.	Shaft II	51.	Washer
20.	Key	52.	Screw
21.	Key	53.	Degree-Meter
22.	Screw	54.	Big Ripple Handle
23.	Gear	55.	Spring
24.	Key	56.	Handle Ball
25.	Gear	57.	Handle Rod
26.	Retaining Ring	58.	Handle Body
27.	Gear	59.	Worm Gear
28.	Key	60.	Key
29.	Gear	61.	Pinion Shaft
30.	Gear	62.	Screw
31.	Shaft I	63.	Head Body
32.	Key	64.	Fixed Tight Collar(Thread)

- |     |                  |      |                     |
|-----|------------------|------|---------------------|
| 65. | Screw            | 99.  | Feed Cover          |
| 66. | Lock Nut         | 100. | Screw               |
| 67. | Lock Washer      | 101. | Name Plate          |
| 68. | Ball Bearing     | 102. | speed Lever         |
| 69. | Retaining        | 103. | Screw               |
| 70. | Sleeve           | 104. | Oil Seal            |
| 71. | Ball Bearing     | 105. | Retaining Ring      |
| 72. | Spindle          | 106. | Lever Shaft (Right) |
| 73. | Bearing Cap      | 107. | Lever (Right)       |
| 74. | Pin              | 108. | Screw               |
| 75. | Knob             | 109. | Pin                 |
| 76. | Support Base     | 110. | Lever Bracket       |
| 77. | Feed Base        | 111. | Screw               |
| 78. | Nut              | 112. | Lever Shaft (Left)  |
| 79. | Washer           | 113. | Lever (Left)        |
| 80. | Screw            | 114. | Screw               |
| 81. | Nut              | 115. | Fixed Tight Collar  |
| 82. | Fixed Nut        | 116. | Handle Rod          |
| 83. | Graduated Rod    | 117. | Screw               |
| 84. | Pin              | 118. | Nut                 |
| 85. | Screw            | 119. | Small Ripple Handle |
| 86. | Scale-Board      | 120. | Washer              |
| 87. | Fixed Bolt       | 121. | Washer              |
| 88. | Turn Handle      | 122. | Spring Cap          |
| 89. | Handlewheel      | 123. | Screw               |
| 90. | Screw            | 124. | Spring Plate        |
| 91. | Graduation Plate | 125. | Pin                 |
| 92. | Screw            | 126. | Spring Base         |
| 93. | Worm Cover       | 127. | Gear                |
| 94. | Screw            | 128. | Gear                |
| 95. | Ball Bearing     | 129. | Key                 |
| 96. | Separating Ring  | 130. | Shaft $\square$     |
| 97. | Retaining Ring   | 131. | Airtight Ring       |
| 98. | Worm Shaft       | 132. | Airtight Base       |
|     |                  | 133. | Washer              |

- |             |                     |        |                       |
|-------------|---------------------|--------|-----------------------|
| 134.        | Screw               | 141.   | Arbor Bolt Cover Base |
| 135.        | Oil Seal            | 142.   | Arbor Bolt Cover      |
| 136.        | Gear                | 143.   | Electric Box          |
| 137.        | Oil Seal            | 143/1. | Switch                |
| 138.        | Retaining Ring      | 144.   | Separating Ring       |
| 139.        | Retaining Ring      | 145.   | Ball Bearing          |
| 140.        | Ball Bearing        | 146.   | Splined Sleeve        |
| Base Parts: |                     | 147.   | Separating Ring       |
| 1.          | Screw               | 148.   | Pin                   |
| 2.          | Washer              | 26.    | Ball Bearing          |
| 3.          | Column Lid          | 27.    | Screw                 |
| 4.          | Link                | 28.    | Graduation Plate      |
| 5.          | Column              | 29.    | Dial Clutch           |
| 6.          | Rack                | 30.    | Screw                 |
| 7.          | Bolt                | 31.    | Handwheel             |
| 8.          | Washer              | 32.    | Turn Handle           |
| 9.          | Base                | 33.    | Screw                 |
| 10.         | Bolt                | 34.    | Screw                 |
| 11.         | Protect Board Slice | 35.    | Washer                |
| 12.         | Protect Board       | 36.    | Slip Saddle           |
| 13.         | Pin                 | 37.    | Steel Ball            |
| 14.         | Left Dial Clutch    | 38.    | Lock Handle           |
| 15.         | Screw               | 39.    | Stop Lump             |
| 16.         | Pin                 | 40.    | Bolt                  |
| 17.         | Oil Cup             | 41.    | Screw                 |
| 18.         | Left Support        | 42.    | Gib Strip             |
| 19.         | Table               | 43.    | Gib Strip Screw       |
| 20.         | Ladder-shaped Nut   | 44.    | Gib Strip             |
| 21.         | Stop Lump           | 45.    | Screw                 |
| 22.         | Screw               | 46.    | Guide Screw Nut       |
| 23.         | Rivet               | 47.    | Guide Screw           |
| 24.         | Zero Site Board     | 48.    | Guide Screw Support   |
| 25.         | Right Support       | 49.    | Guide Screw           |
|             |                     | 50.    | Guide Screw Nut       |